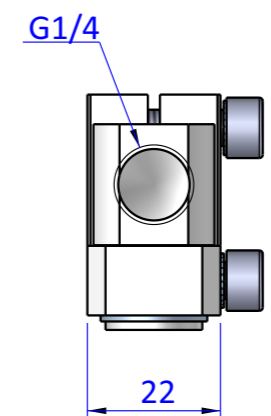
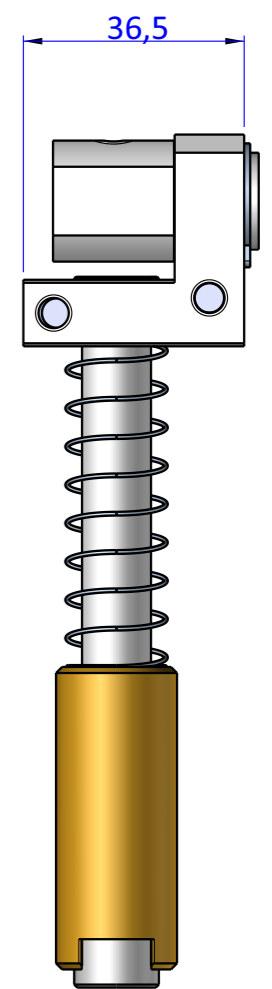
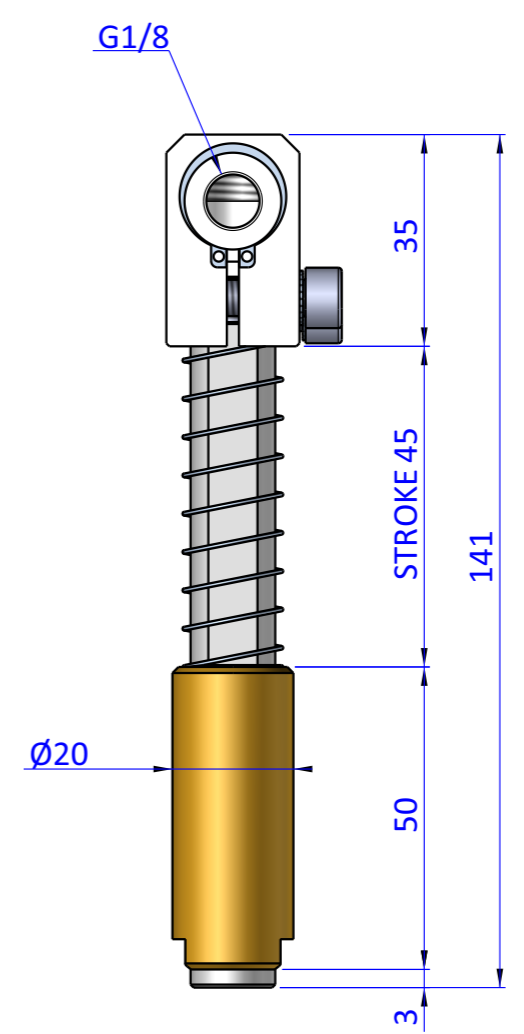
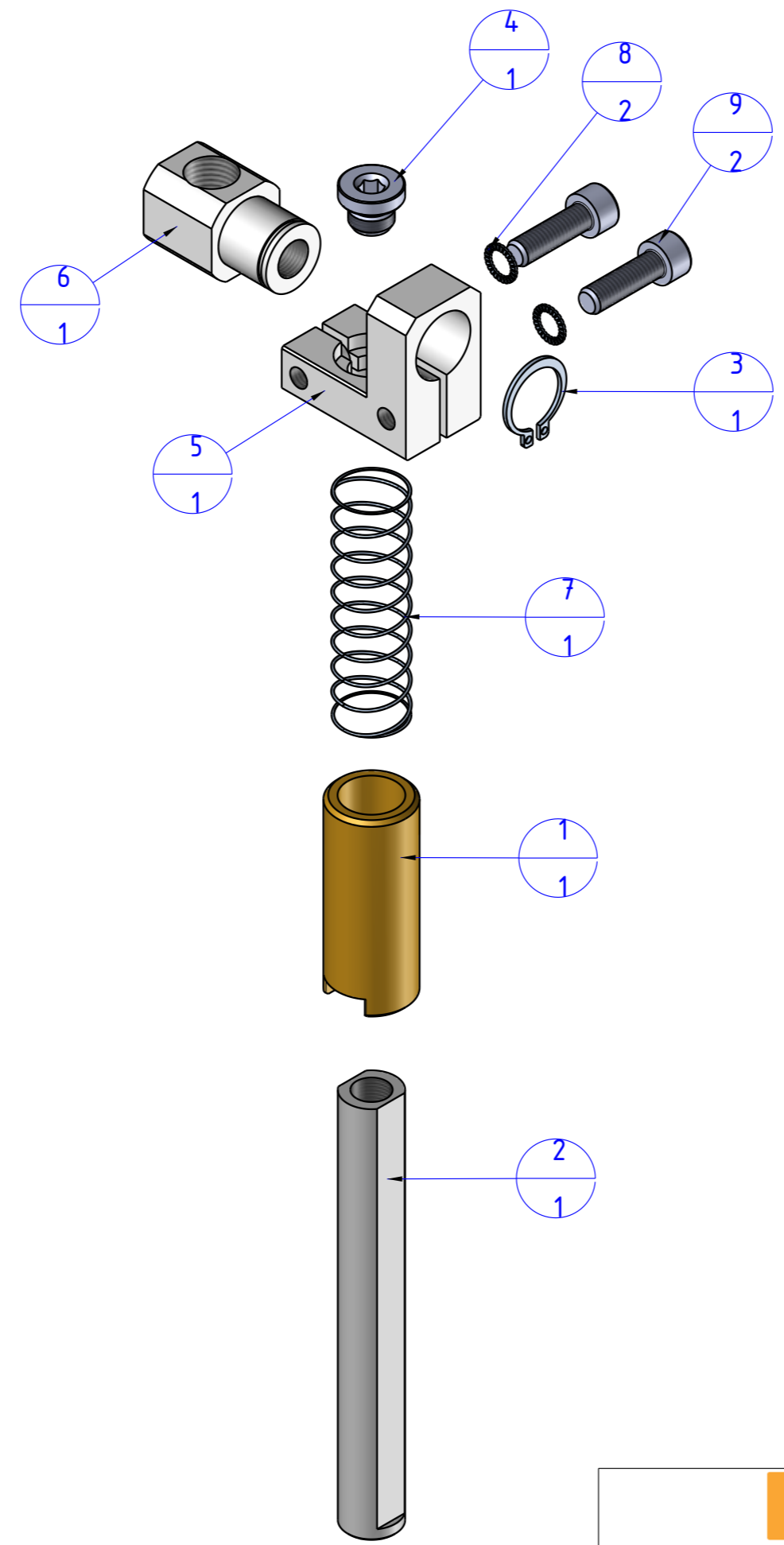

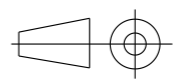


THE PROPERTY OF THE DRAWING IS ESTABLISHED BY LAW. IT IS FORBIDDEN TO PRODUCE OR SHOW IT TO THIRD PART. WITHOUT A WRITTEN AGREEMENT.

Item	Name	Q.ty
1	05.02.001.03	1
2	05.02.001.05	1
3	A.ELA16	1
4	CA.08.14.014	1
5	GGs.01.03	1
6	GGs.02.03	1
7	M.16x70	1
8	R.6.SCH	2
9	V.TCE6x20	2



Format A3
UNI 936-76

 FPS FPSERVICES AUTOMATION			DESIGNED FROM FPS Automation	REVIEW A
GENERAL TOLERANCE UNI - ISO 2768 CLASSE f	DESCRIPTION CA.GGS201445	DATE 09/04/2020	WEIGHT 0,217kg	CODE CA.GGS201445